

**THE PHS-SERIES ARE AIR OPERATED HYDROSTATIC POWER UNITS THAT WORK WITH EITHER WATER OR OIL.**

These self-contained units are compact and robust and operate at either 300 or 700 bar. They come complete with air filter, regulator, lubricator, air/hydraulic pressure gauges, outlet pressure connection block, release valve and interconnecting pipework. The equipment is mounted inside a stainless steel frame and the power unit is ideally suited to hydrostatic testing, operation of hydraulic valve actuators, clamping and tensioning tools.



**STRAINER FILTER**

supplied on fluid inlet

**FILTER, REGULATOR AND LUBRICATOR**

are supplied on the air inlet

**AIR PRESSURE GAUGE**

to monitor working air pressure

**LIQUID FILLED HYDROSTATIC PRESSURE GAUGE**

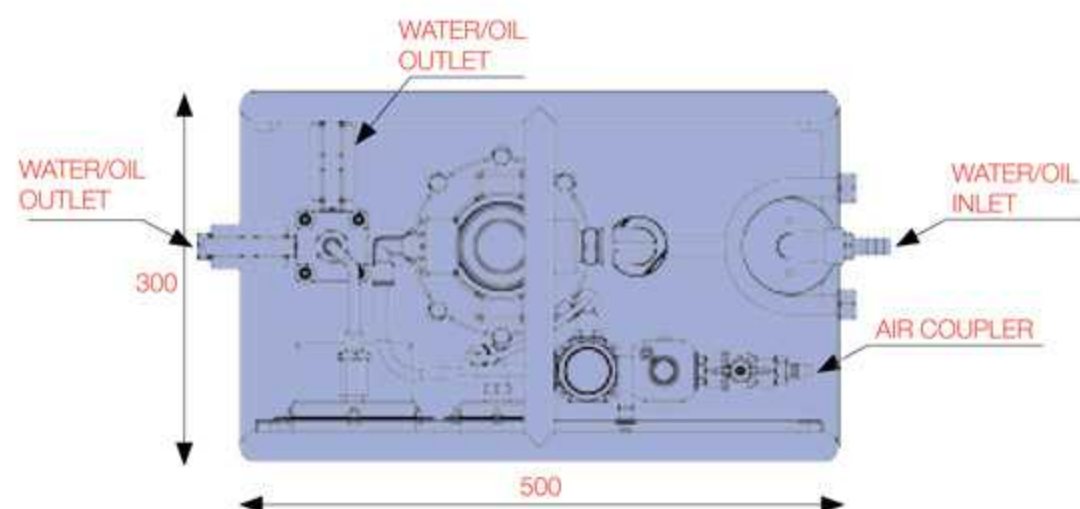
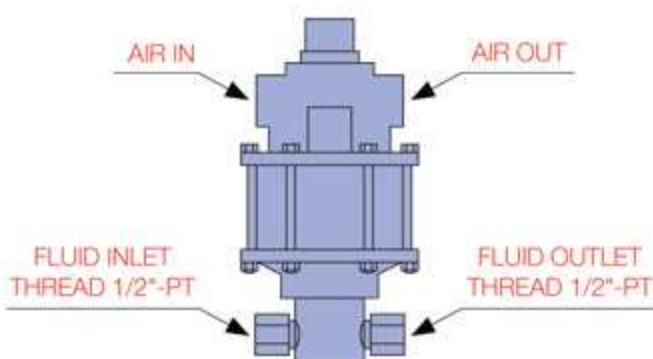
scale is bar/psi

**STAINLESS STEEL BASE AND FRAME**

resists corrosion and allows for easy handling

**WATER/OIL OUTLETS**

fitted with a 3/8"-18NPTF needle valve to allow greater control



Model Number	Compression Ratio	Output Oil/Water Flow Rate (cm <sup>3</sup> /stroke)	Maximum Operating Pressure (bar)	Working Air Pressure (bar)	Weight (kg)	Water/Oil Inlet Thread	Approx. Dimensions (mm)
PHS-300	1:60	6.4	300	5 ~ 7	25	3/8"-18NPTF	500 W x 300 L x 420 H
PHS-700	1:150	2.5	700	5 ~ 7	25	3/8"-18NPTF	500 W x 300 L x 420 H

THE **PHS-1900** IS A MANUALLY OPERATED HYDROSTATIC POWER UNIT THAT WORKS WITH EITHER WATER OR OIL.

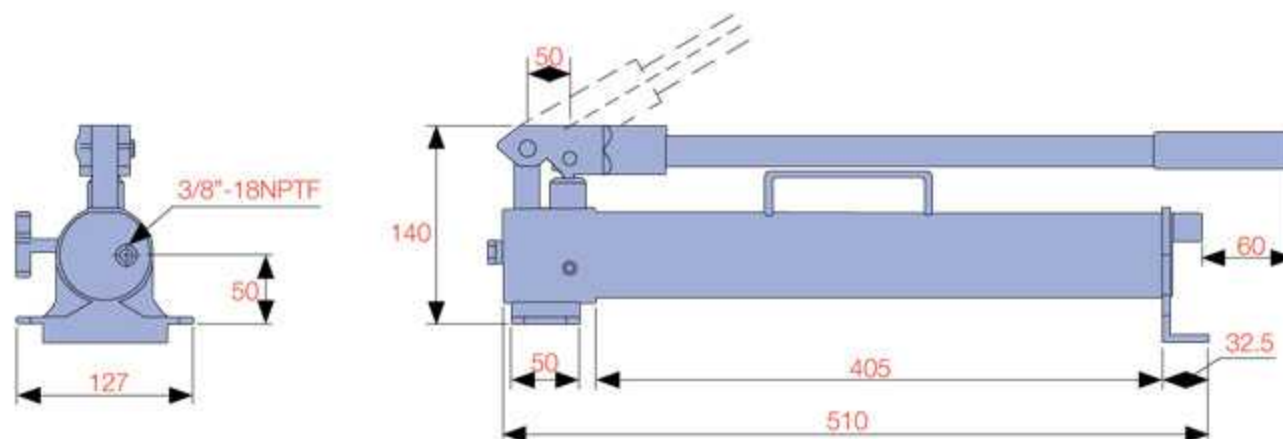
Special steels and rust proofing treatments allow the unit to be used in test applications using water as the hydraulic medium. It is a single speed pump and is fitted with a high pressure safety relief valve set at 700 bar. A reservoir fill plug allows the use of an additional reservoir if more volume is required.



RESERVOIR CAPACITY  
**900 cc**

AIR PRESSURE RANGE  
**5 - 7 bar**

MAXIMUM OPERATING PRESSURE  
**300/700 bar**



Model Number	Used with Cylinder	Pressure Rating (bar)	Usable Water Capacity (cc)	Water Volume per Stroke (cc)	Outlet Port Thread	Weight (kg)
PHS-1900	S/A	700	900	2.3	3/8"-NPTF	6.45